

wallas[®]





XC Duo

Ceramic diesel cooker

1,8 kW (6200 btu)
diesel heater



Cooker + heater in one product!



Fuel: Diesel

- Fuel can be taken from the main tank of a diesel vehicle or for non-diesel vehicles, fuel can be taken from a separate diesel tank.
- Diesel is available everywhere. No need to calculate if you have enough gas or not.

Power: 12 V / < 0,85 A

- Power consumption is very low, thanks to the Wallas combustion system and brushless motors.
- Heat capacity per Amp/hour is excellent at 0,47A/h per kW of heating power.



Easy operation

Open the lid to cook,
close it to enjoy the heat!



Easy to use



- Simply press the button to start the cooker
- Twist the knob to adjust the the power / thermo regulation
- High altitude capability for cooking and heating. Switching point at 1300 m / 4200 ft.

Just like cooking at home

- Ceramic glass top is easy to clean
- High temperature and controllable power
- Quiet operation, attractive design



Ideal size for camper van



- XC Duo is perfect for small to mid size campers
- Perfect for trips on or off the beaten track
- Durable, reliable and efficient for fuel and power

A real heater

- Unique solution to transform your stove into a heater.
- XC Duo is a perfect heating and cooking system for small campers!
- Thermo Control adjusts heat output automatically when selected in heating mode (lid down).



Safe



- No exposed flame. Closed loop combustion adds no moisture or odor to the living areas, helps dry cabin.
- The process is fully automatic and tolerant of changes in air pressure and wind effects.

Independent

- Diesel is available everywhere. Convenient and affordable.
- No connection issues whilst travelling abroad.
- Weight and space saving by eliminating pressurized gas cylinders.

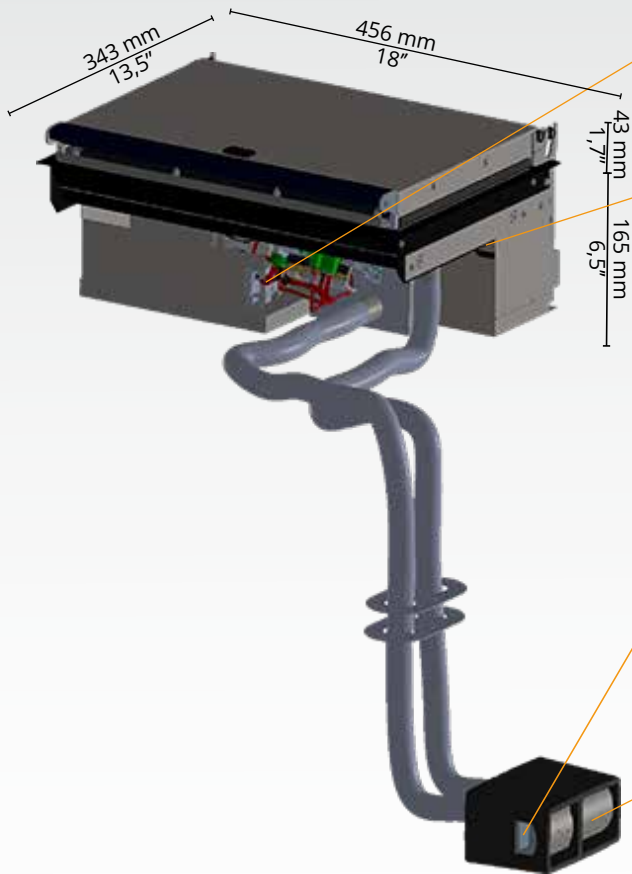


No inspections



- Wallas does not need installation or annual inspections like the pressurized gas stoves/heaters. No need for gas detectors.
- Parking in public car parks and garages is allowed.
- No concern about entering tunnels or other covered spaces.

Easy installation



Main power to be connected to the 12 V battery.

Fuel pipe to be connected to the diesel tank of the vehicle or separate tank. Fuel pump sucks the fuel up to 8 meters.

Exhaust to be led through the floor to the side of the vehicle body.

- Exhaust is kept away from vegetation below camper.

Combustion air will be taken from outside of the vehicle through the exhaust head.

This balanced flue gives the following advantages:

- Balanced combustion process assures clean burn.
- Good wind tolerance.

Technical information	
Model	XC Duo
Fuel consumption	0.9-0.18 l / h 3-6.1 oz / h
Heat effect	0.9-1.8 kW 3100-6200 BTU
Operating voltage	12 V
Power consumption	0.55 - 0.85 A
Dimensions (DxWxH)	343 456 208 mm ~ 13.5 X 18 X 8 1/8 inches
Weight	12 kg 26.5 lbs



Location of the exhaust head.





wallas[®]

Manufacturer: Wallas-Marin Oy, Kärriykatu 4, FI-20780 Kaarina,
Finland
Tel. +358 (0)2 412 0500, www.wallas.com



We reserve the right to changes. Wallas-Marin announces measured values with 10 % tolerance. Announced effects are gross effects.